

TROVE™

Access & Power Integration

Trove2PX2

- Trove2 enclosure with Altronix/Paxton backplane (TPX2)

TPX2

- Altronix/Paxton backplane only

Installation Guide



More than just power.™

All registered trademarks are property of their respective owners.

Rev. 041018

Installing Company: _____ Service Rep. Name: _____

Address: _____ Phone #: _____

Overview:

Trove2PX2 accommodates Paxton Net2 Plus and Paxton 10 modules with or without Altronix power supplies and accessories for access control systems.

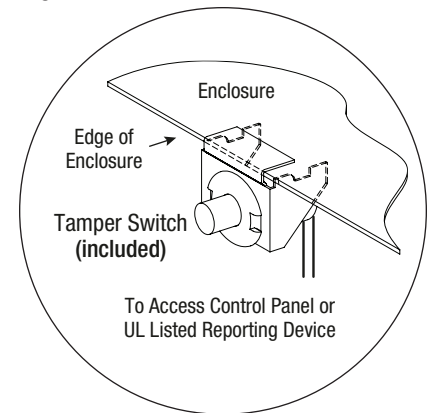
Agency Listings:

- UL 294 - 6th edition: Line Security I, Destructive Attack I, Endurance IV, Stand-by Power II*.
*Stand-by Power Level I if no battery is supplied.
- This Class B digital apparatus complies with Canadian ICES-003.
Cet appareil numérique de la classe B est conforme à la norme NMB-003 du Canada.
- CE European Conformity.

Installation Instructions for Trove2:

1. Remove backplane from enclosure prior to mounting (do not discard hardware).
2. Mark and predrill holes in the wall to line up with the top keyholes in the enclosure. Install the upper fasteners and screws in the wall with the screw heads protruding. Place the enclosure's upper keyholes over the screws; level and secure. Mark the position of the lower holes. Remove the enclosure. Drill the lower holes and install the fasteners. Place the enclosure's upper keyholes over the upper screws. Install the lower screws and make sure to tighten all screws (*Enclosure Dimensions, pg. 4*).
3. Mount included UL Listed tamper switch (Altronix Model TS112 or equivalent) in desired location, opposite hinge. Slide the tamper switch bracket onto the edge of the enclosure approximately 2" from the right side (*Fig. 1, pg. 2*). Connect tamper switch wiring to the Access Control Panel input or the appropriate UL Listed reporting device. To activate alarm signal open the door of the enclosure.
4. Mount Altronix/Paxton boards to backplane, refer to *page 3*.

Fig. 1



TPX2: Configuration of Altronix Power Supply and/or Sub-Assembly Boards with Paxton 10 or Paxton Net2 Plus Modules

1. Fasten spacers (provided) to pems that match the hole pattern for Altronix Power Supply/Chargers or Altronix Sub-Assembly boards (Fig. 2, pg. 3). Fasten metal spacers in the correct locations to provide proper grounding, see below (Fig. 2, pg. 3).
Note: Each Altronix sub-assembly position can accommodate one (1) ACM8(CB), ACMS8(CB), ACMS12(CB), LINQ8ACM(CB), LINQ8PD(CB), PD4UL(CB), PD8UL(CB), PDS8(CB), PDS16(CB), MOM5, VR6 or VR10.
2. Mount boards to spacers utilizing 5/16" pan head screws (provided) (Fig. 2, 2c, pg. 2).
3. Mount Paxton modules into the correct positions (Fig. 2a, 2b, pg. 2).
Note: Paxton modules have RJ45 jacks. Please make sure that they are mounted correctly, as shown in Fig. 2a, 2b below
4. Fasten TPX2 backplane to Trove2 enclosure utilizing pan head screws (provided).

Fig. 2 - Trove2PX2/TPX2 Configurations:

Fig. 2a - Configuration with Paxton 10 Modules:

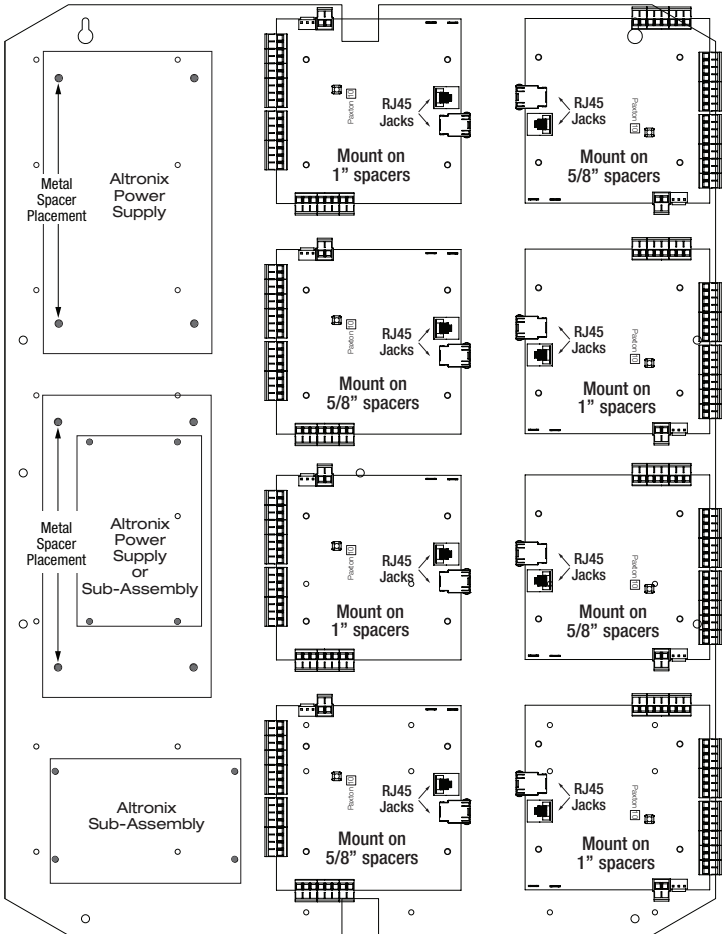


Fig. 2b - Configuration with Paxton Net2 Plus Modules:

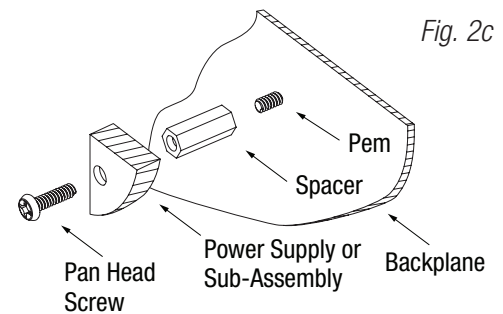
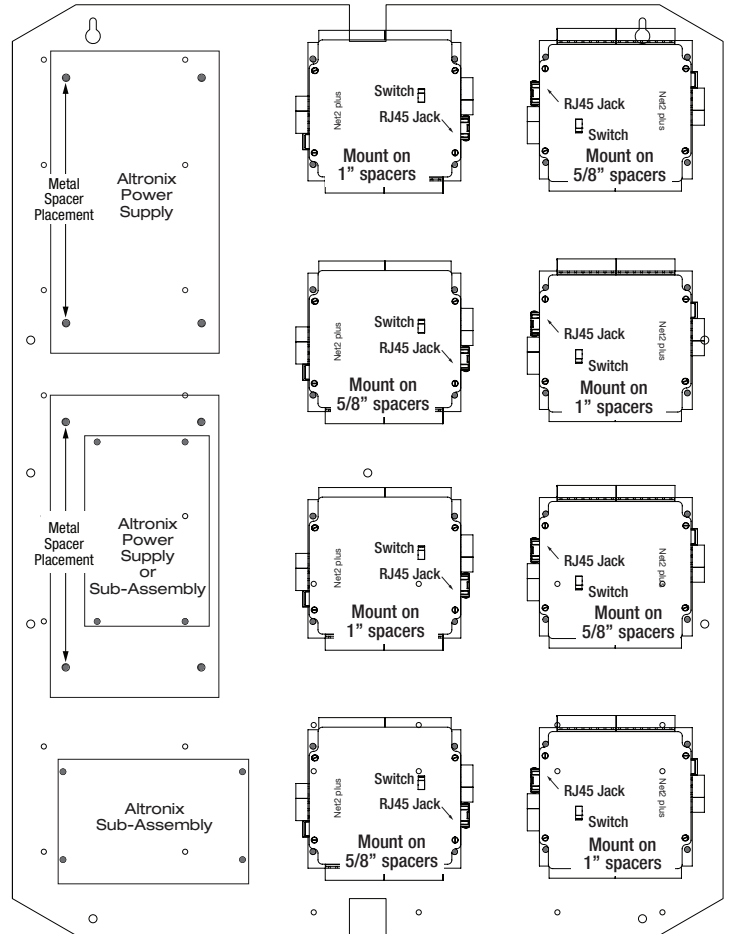
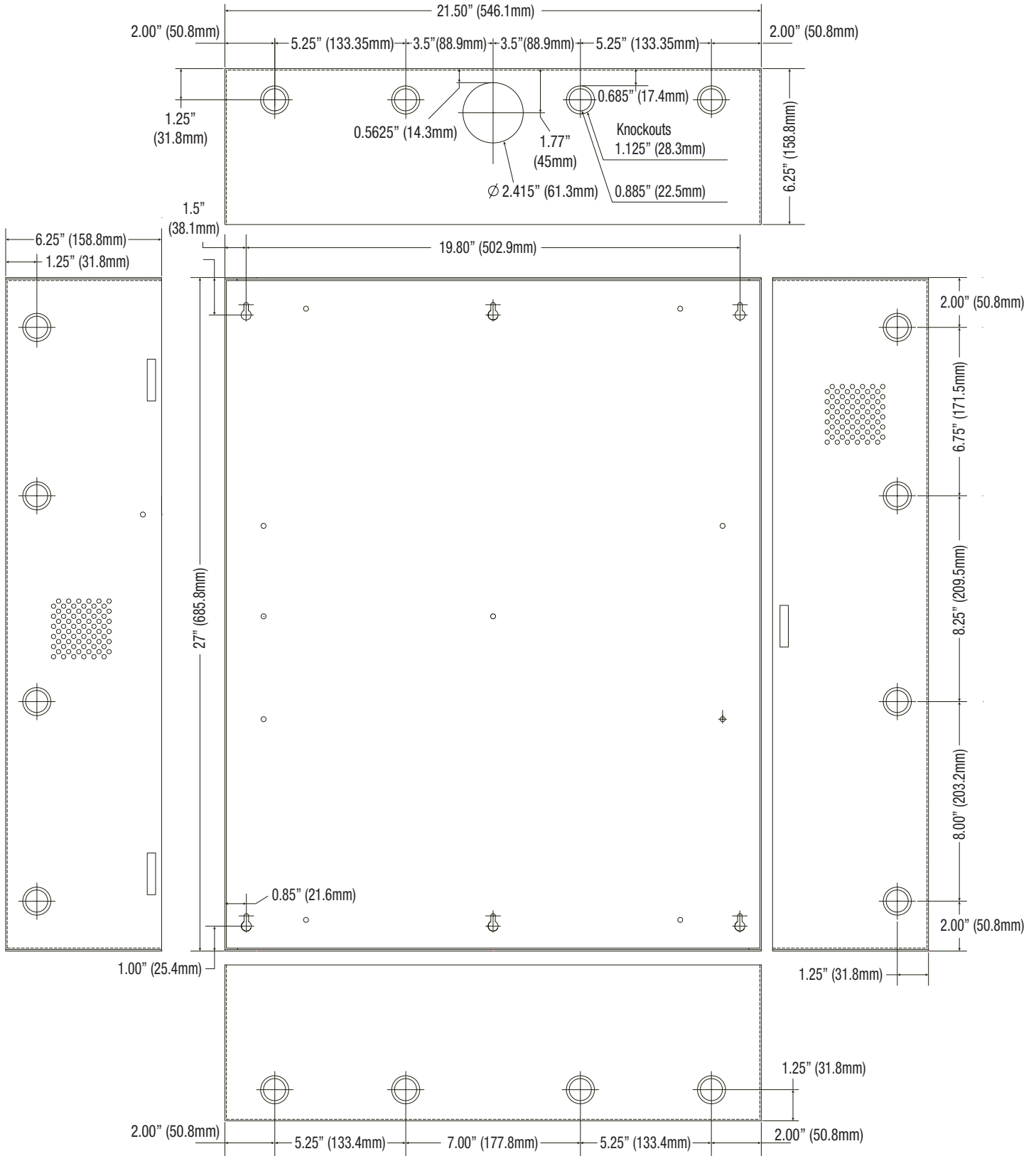


Fig. 2c

Trove2PX2 Enclosure Dimensions (H x W x D): 27.25" x 21.75" x 6.5" (692.2mm x 552.5mm x 165.1mm)



Altronix is not responsible for any typographical errors.

140 58th Street, Brooklyn, New York 11220 USA | phone: 718-567-8181 | fax: 718-567-9056
 web site: www.altronix.com | e-mail: info@altronix.com
 IITrove2PX2 / TPX2

J27U

